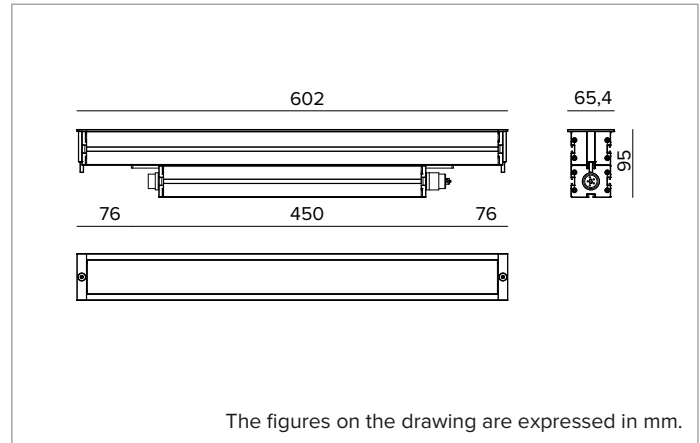


## E0572GRH830D2BA | JEDI NOVA 55 Recessed

### Recessed linear LED projector



	3000K	H(m)	D1(m)	D2(m)	E <sub>max</sub> (lx)		
	Ra80	17°	74°				
Fixture Power	23W	1	0.30	1.51	4110		
Source Flux	3628lm	2	0.61	3.01	1028		
Fixture Flux	2170lm	3	0.91	4.52	457		
Efficacy	95lm/W	4	1.21	6.02	257		
TS2183	I <sub>max</sub> =1133cd/klm	I <sub>max</sub>	4110cd	5	1.52	7.53	164



#### SOURCE

Mid Power High Efficiency Ra80 linear LED board.

**Energy efficiency class:** C

**Nominal power:** 20.6

**Nominal flux:** 3628lm

**Colour rendering index:** 80

**CCT nominal:** 3000K

**Lifetime (L80/B10):** >102000h tq +25°C

#### ILLUMINOTECHNICAL CHARACTERISTICS

Internal optical system made of a primary cylindrical lens in PMMA, a high reflectance anodised aluminium reflector and a holographic filter. Comfort version with integrated optical accessory: longitudinal anti-glare screen in black painted steel.

**Optic:** HYBRID

**Beam angles:** GRZ 20°x75°

**Optical efficiency:** 60%

**Fixture flux:** 2170lm

**Luminous efficacy:** 95lm/W

**Photobiological safety:** Compliant with RG1 low risk group

#### MECHANICAL CHARACTERISTICS

Extruded anodised aluminium 15μ body. Extra clear 10mm thick glass flat screen.

**Colour and finish:** Black anodized

**Dimensions:** L=602mm

**Weight:** 3.8Kg

**Version:** Comfort

**Degree of protection:** IP66,IP67,IP68,IP69

**Mechanical Resistance:** IK10

#### ELECTRICAL CHARACTERISTICS

Integrated driver available in the DALI2 version (positioned below the optical body). Supplied with through-wiring with longitudinal sealing IN/OUT panel connectors (the sealing limits the risk of humidity raising towards the driver/optical body). Luminaire compliant with EN 60598-2-22 for power supply from a centralised emergency system CPSS (Central Power Supply System), not incorporated in the luminaire - high risk areas excluded. The default power and flux are 100% in AC and 100% in DC.

**Fixture Power:** 23W

**Power supply:** 220-240Vac 50/60Hz

**Insulation Class:** CLASS 1

**Type of driver / Control:** DALI2 - PUSH

**Driver included:** YES

**Class F:** YES

**Ambient temperature:** 0°C / +35°C

#### INSTALLATION

To be completed with an anodised aluminium insertion box. Continuous in-line installation version available.

#### NOTES

Casambi control system available using a dedicated accessory. 110-277Vac version available on request. All versions meet the drive-over and walk-over requirements of EN 60598-2-13. IP68: the projector is not suitable for permanent underwater installation but can withstand temporary accidental immersion to a depth of 1.5 metres (max.1h). IP69: IEC/EN 60529 standard compliant. Commissioning of the control system via free APP; the intervention of a specialist technician can be quoted on request.

#### WARRANTY

5 years.

#### WARNING

Luminaire designed for disposal/recycling at end-of-life. Replaceable (LED only) light source by a professional. Replaceable control gear by a professional.

*Due to the technological evolution of the electronic components, the data provided may be updated, and as such, confirmation must be requested during the order process.*

*Luminous flux and power supply have +/-10% tolerances with respect to the indicated value. tq +25°C (CIE 121).*

*We reserve the right to make technical changes.*

Targetti Sankey S.r.l.  
Via Pratese, 164  
50145 Firenze - Italy  
Tel: +39 055 37911  
targetti.com  
targetti@targetti.com

CCIAA Firenze  
Share Capital:  
€ 500.000,00  
VAT N. (IT):  
01537660480  
R.E.A: FI-275656

**TARGETTI**

## E0572GRH830D2BA | JEDI NOVA 55 Recessed Recessed linear LED projector

### Related codes

#### Insertion Box



L mm	H mm	P mm	Version	Code
606	108	100	Stand Alone	<b>A113Z</b>

Aluminium outer casing for Jedi Nova 55.  
In black anodised aluminum.



L mm	H mm	P mm	Version	Code
604	108	100	System	<b>A114Z</b>

Aluminium outer casing for Jedi Nova 55.  
In black anodised aluminum.

#### Mounting System



Code

**A116**

Fixing plate kit for A113 and A114 installation sleeves.  
In aluminum.

### Accessories

#### Connector



Code

**A117**

IP66/IP68 female connector.  
5 pôles (STANDARD 3G2,5mm<sup>2</sup> MAX, DALI 5G1,5mm<sup>2</sup> MAX).  
Cable diameter range from 7 to 12mm.



Code

**A118**

Male/female IP66/IP68 connector kit.  
5 pôles (STANDARD 3G2,5mm<sup>2</sup> MAX, DALI 5G1,5mm<sup>2</sup> MAX).  
Cable diameter range from 7 to 12mm.



Code

**A119**

Multiple connection box IP68.  
1 IN - 2 OUT 5 poles (STANDARD 3G2,5mm<sup>2</sup> MAX, DALI 5G1,5mm<sup>2</sup> MAX).  
Cable diameter range from 7 to 12mm.

Due to the technological evolution of the electronic components, the data provided may be updated, and as such, confirmation must be requested during the order process.  
Luminous flux and power supply have +/-10% tolerances with respect to the indicated value. tq +25°C (CIE 121).

We reserve the right to make technical changes.

Targetti Sankey S.r.l.  
Via Pratese, 164  
50145 Firenze - Italy  
Tel: +39 055 37911  
targetti.com  
targetti@targetti.com

CCIAA Firenze  
Share Capital:  
€ 500.000,00  
VAT N. (IT):  
01537660480  
R.E.A.: FI-275656

**TARGETTI**

## E0572GRH830D2BA | JEDI NOVA 55 Recessed Recessed linear LED projector

### Cable



	L mm	Code
	1000	<b>A120Z</b>
	2000	<b>A120Y</b>
	3000	<b>A120X</b>

Connection cable.  
Complete with 5 pole connectors.  
For the ON-OFF and DALI version.

### Control systems



Code

**1E3048**

IP67 wireless control unit with DALI interface.  
It generates a local DALI2 bus, enabling a direct connection to a DALI interface LED driver.  
The module can only be used in a closed system and cannot be connected to an existing DALI network.  
The module is wireless controlled using a Casambi app for smartphones and tablets using Bluetooth 5.0 technology.  
The devices automatically create an adaptive, robust, and reliable wireless mesh network, allowing for the easy and efficient management of a high number of fixtures.  
The control unit is preset to the DALI 1CH profile, meaning the device can control a single DALI driver with broadcast commands.  
In addition to the DALI broadcast, other operating modes are available, such as:

- Button (normally open)
- Control unit 0/1-10V
- Control unit DALI Tunable White DT8
- Presence sensor



Code

**1E4369**

IP67 Extender for wireless control of LED driver with dimming DALI interface based on Casambi technology.  
It has a DALI2 output with the capacity to control up to 40 lighting fixtures.  
With the addition of a further external BUS DALI power supply it is possible to control up to 64 fixtures.  
IP67 Extender is preset to the DALI broadcast profile, meaning all the luminaires connected to it are dimmable at the same level.  
In addition to the DALI broadcast other operating modes are available, such as:

- EXTENDER DALI 8CH
- EXTENDER DALI Tunable White
- EXTENDER DALI 4CH
- EXTENDER DALI DT8 Tunable White

Due to the technological evolution of the electronic components, the data provided may be updated, and as such, confirmation must be requested during the order process.

Luminous flux and power supply have +/-10% tolerances with respect to the indicated value. tq +25°C (CIE 121).

We reserve the right to make technical changes.

Targetti Sankey S.r.l.  
Via Pratese, 164  
50145 Firenze - Italy  
Tel: +39 055 37911  
targetti.com  
targetti@targetti.com

CCIAA Firenze  
Share Capital:  
€ 500.000,00  
VAT N. (IT):  
01537660480  
R.E.A: FI-275656

**TARGETTI**